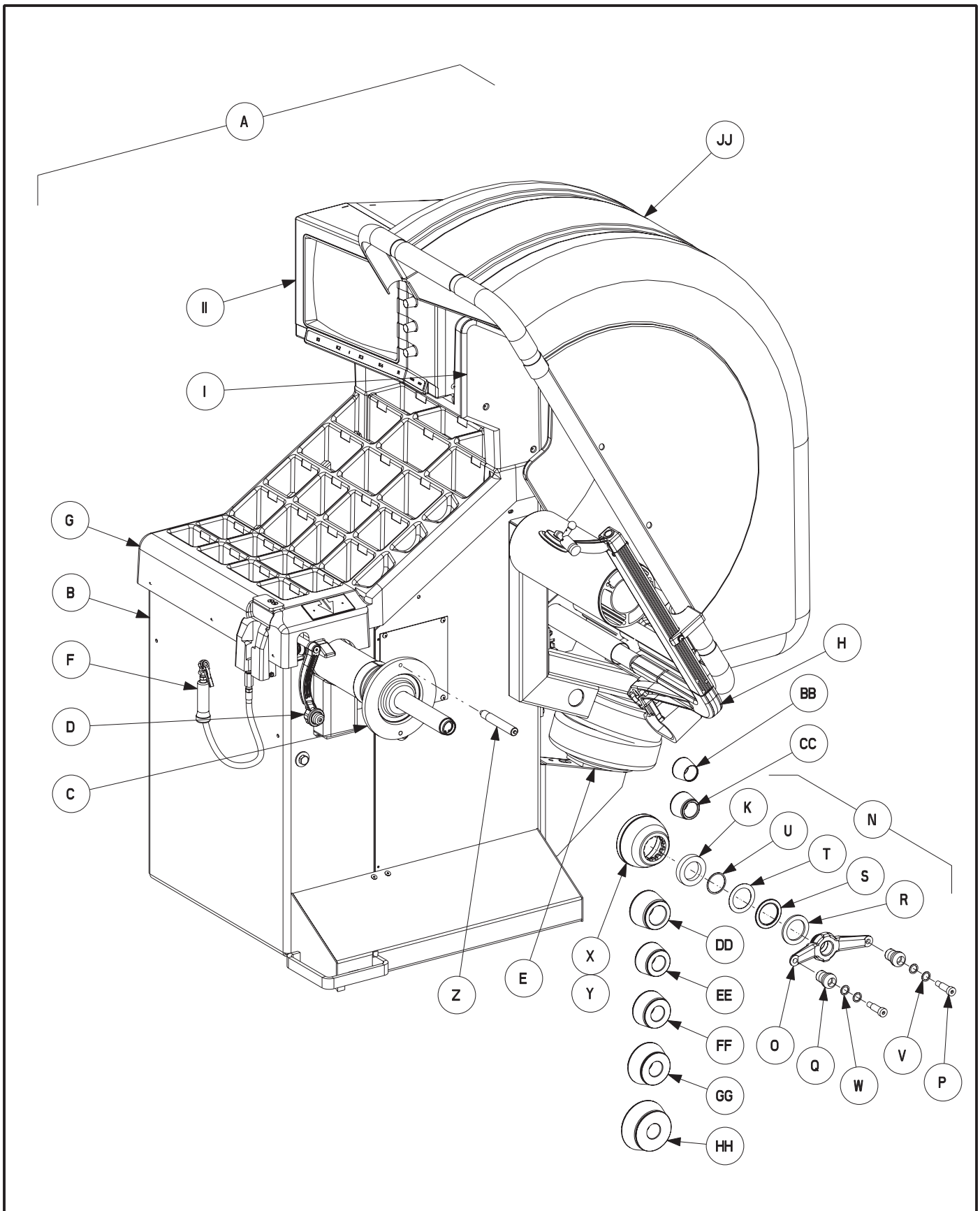


GSP9700 BALANCER

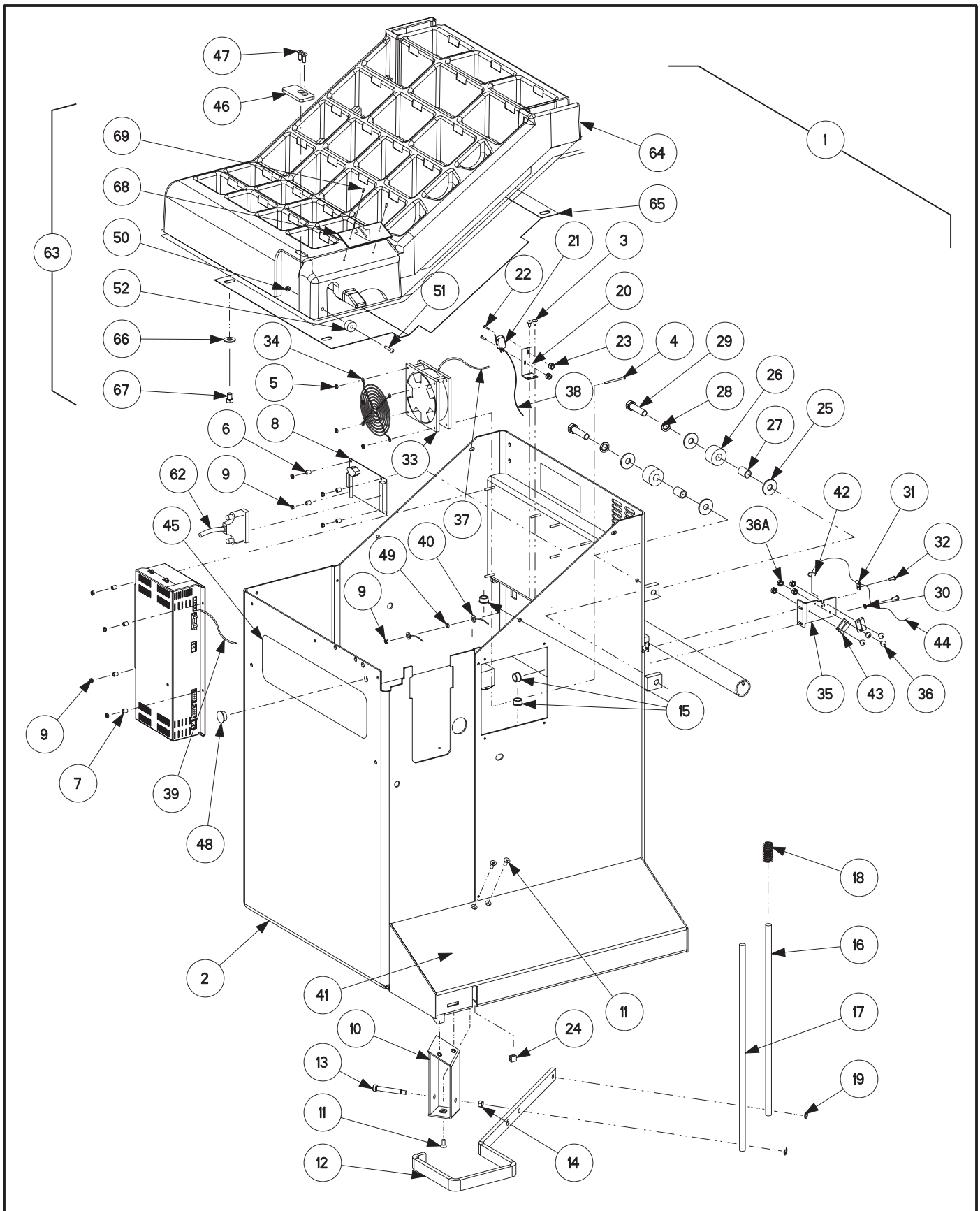
© 2000-2002 Hunter Engineering Company



GSP9700 BALANCER

REFER TO NEXT SHEET FOR PARTS DESCRIPTION LISTING

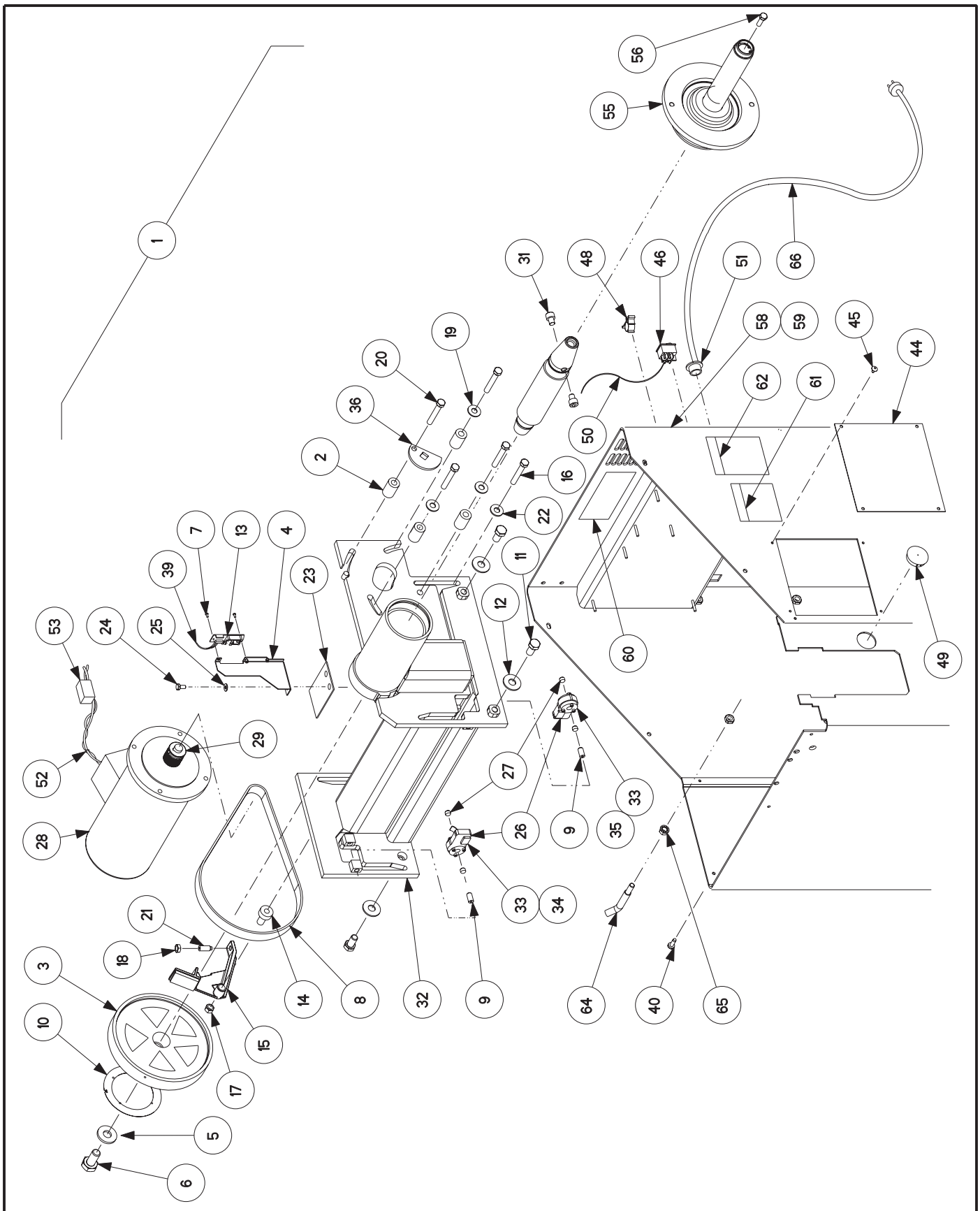
Index No.	Part Number	Description
A	72-293-1-R	BASE ASSEMBLY, GSP BALANCER WITH LOAD ROLLER OPTION (Consisting Of:)
B	72-293-1	BASE ASSEMBLY GSP BALANCER 230V/60H/1PH (Sheet 3) (Consisting Of:)
C	105-317-1	HOUSING, SPINDLE/DRIVE ASSEMBLY (Sheet 4)
D	103-83-1	ARM ASSEMBLY, INNER DATASET (Sheet 5)
E	111-66-1	ROLLER ASSEMBLY, LOADED RUNOUT ARM (Optional) (Sheet 9)
F	105-393-1	HOUSING ASSEMBLY, TIRE FILL (Sheet 7)
G	69-1011-1	COVER, WEIGHT TRAY GSP9700 INFLATION (Sheet 3)
H	103-86-1	ARM ASSEMBLY, OUTER DATASET (Sheet 6)
I	69-826-2	COVER, 14 INCH CRT PIVOT (Sheet 7)
J	20-1349-1	KIT, LITERATURE & ACCESSORY (Not Shown) (Consisting Of:)
K	223-53-2	RING, PRESSURE
L	46-320-2	SPACER, SPINDLE SHAFT (Not Illustrated)
M	106-82-2	SLEEVE, CLAMPING CUP (Not Illustrated)
N	76-348-3	NUT, WING BALANCER ASSEMBLY (Consisting Of:)
O	76-327-2	NUT, WING BALANCER
P	74-394-2	BOLT, SHOULDER 5/8 x 1.50
Q	142-115-2	HANDLE, WING NUT
R	77-256-2	WASHER, THRUST
S	130-145-2	BEARING, NEEDLE THRUST ID 55MM
T	77-255-2	WASHER, THRUST 55MM ID 1MM
U	112-87-2	SNAP RING, SMALLEY WS-200
V	77-270-2	WASHER, FLAT 5/8 SPECIAL
W	112-94-2	SNAP RING 5108-62 TRUARC
X	175-217-1	ADAPTOR CUP ASSEMBLY, BALANCER (Includes:)
Y	98-353-2	SPRING, BALANCER CUP
Z	65-72-2	WEIGHT, CALIBRATION
Z1	221-563-1	TOOL, WIDTH CALIPER (Not Illustrated)
Z2	221-589-2	TOOL, WEIGHT HAMMER/PLIERS (Not Illustrated)
Z3	216-42-2	HOOK, ROLLER SPRING LOWER (Not Illustrated)
Z4	128-521-2	DECAL, SHORTAGE CLAIMS (Not Illustrated)
AA	20-1296-2	KIT, WHEEL CENTERING (Not Shown) (Consisting Of:)
BB	192-51-1	CONE, CENTERING
CC	192-52-2	CONE CENTERING
DD	192-53-2	CONE, CENTERING
EE	192-54-2	CONE, CENTERING
FF	192-55-2	CONE, CENTERING
GG	192-56-2	CONE, CENTERING
HH	192-57-2	CONE, CENTERING
II	30-330-1	CONSOLE, CRT GSP9700 (Sheet 8)
JJ	69-903-1	COVER, 9700 HOOD ASSEMBLY (Sheet 7)



GSP9700 BALANCER

REFER TO NEXT SHEET FOR PARTS DESCRIPTION LISTING

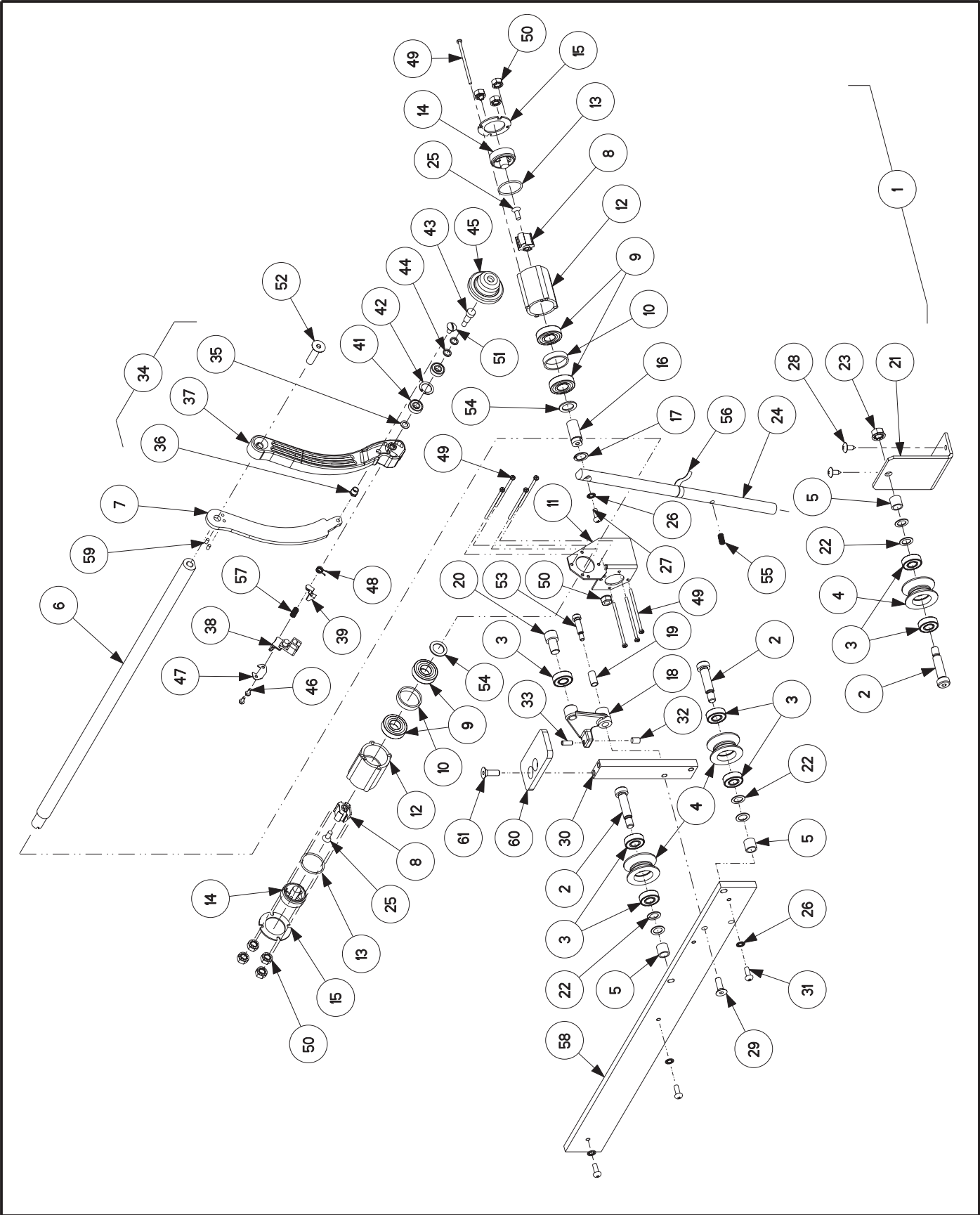
Index No.	Part Number	Description	Qty.	Index No.	Part Number	Description	Qty.
1	72-293-1	GSP BALANCER 230V/60HZ/1PH BASE ASSEMBLY (Consisting	1	40	38-845-1	CABLE ASSEMBLY, GSP9700 POWER 12FT	1
2	72-259-1	BASE WELDMENT, GSP9700	1	41	64-134-2	PAD ASSEMBLY, FOOT TRIM TO FIT	1
3	75-401-2	TRUSS HEAD MACHINE SCREW 10 x 1/2	2	42	94-11-2	TIE, CABLE	7
4	75-395-2	ROUND HEAD MACHINE SCREW 6-32 x 2	4	43	18-398-1	SWITCH, REED SWITCH ASSEMBLY	2
5	76-307-2	NUT, LOCK 6-32 NYLON INSERT	4	44	70-143-2	HARNES SPIRAL WRAP .25 OD BLACK	10 INCH
6	46-175-2	SPACER, CLUTCH	8	45	128-574-2	DECAL, GSP9700	1
7	232-115-1	DC MOTOR DRIVE 230V/1PH	1	46	51-1568-2	PLATE, WEIGHT WORK	1
8	45-825-1	PCB, CRT BALANCER INTERCONNECT	1	46A	72-293-1-R	BASE ASSEMBLY (Not Illustrated) (Consisting Of:)	1
9	76-262-2	NUT, LOCK 8-32 NYLON INSERT	9	47	75-68-2	FILLISTER HEAD SOCKET CAP SCREW	2
10	177-39-1-002	PIVOT ASSEMBLY, SPINDLE LOK	1	48	43-129-2	PLUG, HEYCO PRY OUT .812	2
11	75-385-2	FLAT HEAD SOCKET CAP SCREW 1/4-20 x .63	3	48A	75-340-2	SCREW SELF TAPPING 1/4-14 x .75 (Not Illustrated)	1
12	164-60-1-002	LEVER ASSEMBLY, LONGITUDINAL FOOT PEDAL	1	49	76-343-2	NUT LOCK, 8-32 NYLON INSERT	1
13	74-351-2	BOLT, SHOULDER 3/8 x 2-1/4	1	50	76-21-2	NUT, GRIP	1
14	76-32-2	NUT, GRIP 5/16-18	1	51	75-174-2	ROUND HEAD MACHINE SCREW 10-32 x 1	1
15	113-179-2	BUSHING, BRAKE ACTUATOR ROD	3	52	228-47-2	STOP, ARM	1
16	63-189-1-002	ROD ASSEMBLY, SWITCH ACTUATOR	1	53	128-511-2	DECAL, GROUND EARTH (Not Illustrated)	1
17	63-191-1-002	ROD ASSEMBLY, BRAKE ACTUATOR	1	54	128-579-2	DECAL, INTERFACE BOARD (Not Illustrated)	1
18	98-310-2	SPRING, COMPRESSION	1	56	94-28-2	TIE, CABLE ORANGE (Not Illustrated)	6
19	112-14-2	SNAP RING #5133-37 OR EQUAL	2	58	94-30-2	TIE, CABLE GREEN (Not Illustrated)	3
20	14-821	BRACKET, SPINDLE LOK SWITCH	1	59	94-31-2	TIE, CABLE BLUE (Not Illustrated)	3
21	18-346-2	SWITCH, MINI SPDT 1.4 LEVER	1	61	119-37-1	RISER, CRT (Not Illustrated) (Includes:)	REF
22	75-75-2	ROUND HEAD MACHINE SCREW 4-40 x 5/8	2	62	38-711-2	CABLE, 3FT 37M-TO-37M DSUB	REF
23	76-59-2	NUT, KEPS 4-40	2	63	69-1011-1	COVER, WEIGHT TRAY GSP9700 INFLATION (Consisting Of:)	1
24	64-112-2	PAD, EXTRUDED RUBBER	0.5	64	69-1008-2	COVER WEIGHT TRAY GSP INFLATION	1
25	77-214-2	WASHER, FLAT 1/2 SPECIAL	4	65	69-951	COVER, WEIGHT TRAY, GSP9700	4
26	228-25-2	STOP, 1.5 RUBBER TUBE	2	66	77-66-2	WASHER, FLAT 3/8 TPA-W	4
27	113-174-2	BUSHING STEEL .69 OD x .522 ID	2	67	74-41-2	HEX HEAD CAP SCREW 3/8-16 x .5	4
28	77-22-2	WASHER, LOCK 8 INT TOOTH	2	68	95-41-2	POINTER, BALANCER	1
29	74-345-2	HEX HEAD CAP SCREW 1/2-13 x 2	2	69	48-80-2	RIVET, BLIND 1/8 x 3/8	2
30	77-11-2	WASHER, LOCK 10 INT TOOTH	2				
31	12-145-2	CLAMP CABLE 1/4 INCH	1				
32	75-15-2	ROUND HEAD MACHINE SCREW 10-32 x 1/2	2				
33	129-176-2	MOTOR AXIAL FAN 230V	1				
34	179-28-2	SHIELD, FAN MOTOR	1				
35	14-817	BRACKET, HOOD SWITCH	1				
36	75-584-2	TRUSS HEAD MACHINE SCREW 4-40 x 5/8	4				
36A	76-366-2	NUT, LOCK 4-40 NYLON INSERT	4				
37	38-840-1	CABLE ASSEMBLY, FAN GSP9700	4				
38	38-842-1	CABLE ASSEMBLY, SPINDLE LOCK	1				
39	38-843-1	CABLE ASSEMBLY, GSP9700 INTERCONNECT	1				



GSP9700 BALANCER

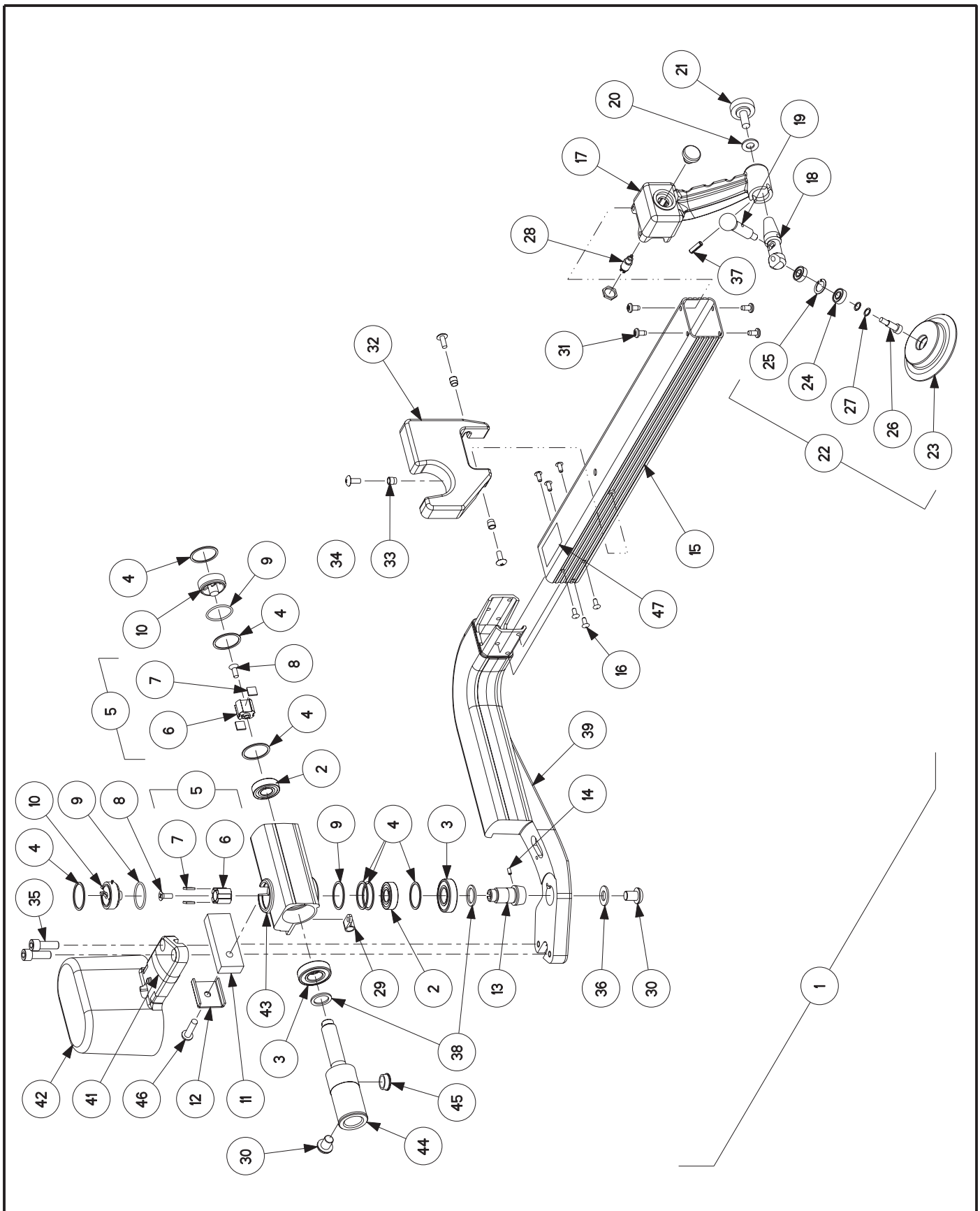
REFER TO NEXT SHEET FOR PARTS DESCRIPTION LISTING

Index No.	Part Number	Description	Qty.	Index No.	Part Number	Description	Qty.
1	105-317-1	HOUSING SPINDLE ASSEMBLY (Consisting Of)	1	35	94-31-2	TIE, CABLE (Blue)	1
2	46-422-2	SPACER, MOTOR	4	36	172-34-2	CAM, BELT TENSIONER	1
3	107-93-2	PULLEY, DRIVE	1	38	111-76-2	ROLLER, DEMO TIRE (Not Illustrated)	1
4	14-808-1	BRACKET, SPINDLE ENCODER	1	39	38-837-1	CABLE ASSEMBLY, SPINDLE ENCODER	1
5	77-239-2	WASHER, SPECIAL 1.5 x .641 x .176	1	40	75-312-2	TRUSS HEAD MACHINE SCREW 10-32 x 1/2	2
6	74-365-2	HEX HEAD MACHINE SCREW M16 x 2 x 35MM	1	41	128-381-2	DECAL, WARNING (Not Illustrated)	1
7	75-30-2	ROUND HEAD MACHINE SCREW 4-40 x 1/4	2	42	24-51-2	NAMEPLATE, HUNTER (Not Illustrated)	1
8	126-38-2	BELT, POLY V-DRIVE	1	43	24-54-2	NAMEPLATE, PATENT (Not Illustrated)	1
9	74-372-2	SOCKET SET SCREW 3/8-24 x 3/4	2	44	69-905-000	COVER, SPINDLE DRIVE BELT	1
10	17-67-2	DISK, SPINDLE ENCODER	1	45	75-401-2	TRUSS HEAD MACHINE SCREW 10 x 1/2	4
11	74-387-2	HEX HEAD SCREW 1/2-13 x 1 (Included in 105-381-1)	4	46	18-270-2	SWITCH, DPST ROCKER	1
12	77-265-2	WASHER, FLAT 1/2 TPA-N (Included in 105-381)	4	47	94-23-2	TIE, CABLE (Not Illustrated)	5
13	45-863-1	PCB, SPINDLE ENCODER	1	48	94-24-2	TIE HOLDER, CLIP ADJUSTABLE	4
14	113-200-2	BUSHING, SPINDLE LOCK	1	49	43-91-2	PLUG, DOMED 1.5 DIA. HOLE	1
15	103-87-1	ARM, SPINDLE BRAKE	1	50	38-841-1	CABLE ASSEMBLY, POWER SWITCH	1
16	74-375-2	HEX HEAD CAP SCREW 3/8-16 x 2.50	1	51	12-27-2	CLAMP, CABLE 1/2 INCH	1
17	76-18-2	NUT, GRIP 3/8-16	1	52	94-11-2	TIE, CABLE	2
18	76-15-2	NUT, JAM 3/8-16	1	53	55-17-2	CORE, FERRITE EMI SUPPRESSION	1
19	77-66-2	WASHER, FLAT 3/8	3	54	20-1296-2	KIT, WHEEL CENTERING (Not Illustrated) (Consisting Of)	1
20	74-68-2	HEX HEAD CAP SCREW 3-9/16 x 2.50	4	55	97-397-3	SHAFT, HUB ASSEMBLY	1
21	75-548-2	SOCKET SET SCREW 3/8-16 x .75	1	56	74-399-2	ALLEN SCREW	1
22	77-75-2	WASHER, FLAT 3/8	1	57	69-990-2	COVER, CONE SPRING RETAINER (Not Illustrated)	1
23	51-1803	PLATE, ENCODER MOUNTING	3	58	128-72-2	DECAL, UL	1
24	75-481-2	SOCKET BUTTON HEAD CAP SCREW 1/4-20 x .50	3	59	128-430-2	DECAL, UL FOR CANADA	1
25	77-19-2	WASHER, FLAT 12 TPA-N	3	60	128-109-2	DECAL, CAUTION	1
26	109-87-3	TRANSducer, FORCE BALANCER	2	61	128-602-2	DECAL, MAX WHEEL WARNING	1
27	130-60-2	BEARING, 13/32 DIA. CERAMIC	2	62	128-605-2-00	DECAL, QUICK THREAD WARNING	1
28	129-198-1	MOTOR REPLACEMENT (Includes 107-94-2)	1	63	20-1349-1	KIT, LITERATURE (Not Illustrated) (Consisting Of)	1
29	107-94-2	PULLEY, POLY V. 1.32 OD.	1	64	63-85-2	ROD, HOOK	6
30	105-381-1	HOUSING, REPAIR KIT (Consisting Of) (Not Illustrated)	1	65	76-159-2	NUT, KEPS 3/8-16	6
31	74-364-2	SOCKET HEAD SCREW M10 x 1.5 X 12MM	2	66	38-845-1	CABLE ASSEMBLY, GSP9700 POWER 12 FT.	1
32	105-315-1-002	HOUSING, SPINDLE SUPPORT WELDMENT	1	67	129-202-2	MOTOR BRUSH (Not Illustrated)	1
33	94-29-2	TIE, CABLE (Yellow)	1	68	129-203-2	MOTOR BRUSH COVER (Not Illustrated)	1
34	94-30-2	TIE, CABLE (Green)	1	69	129-204-2	MOTOR BRUSH SPRING (Not Illustrated)	1



GSP9700 BALANCER
 REFER TO NEXT SHEET FOR PARTS DESCRIPTION LISTING

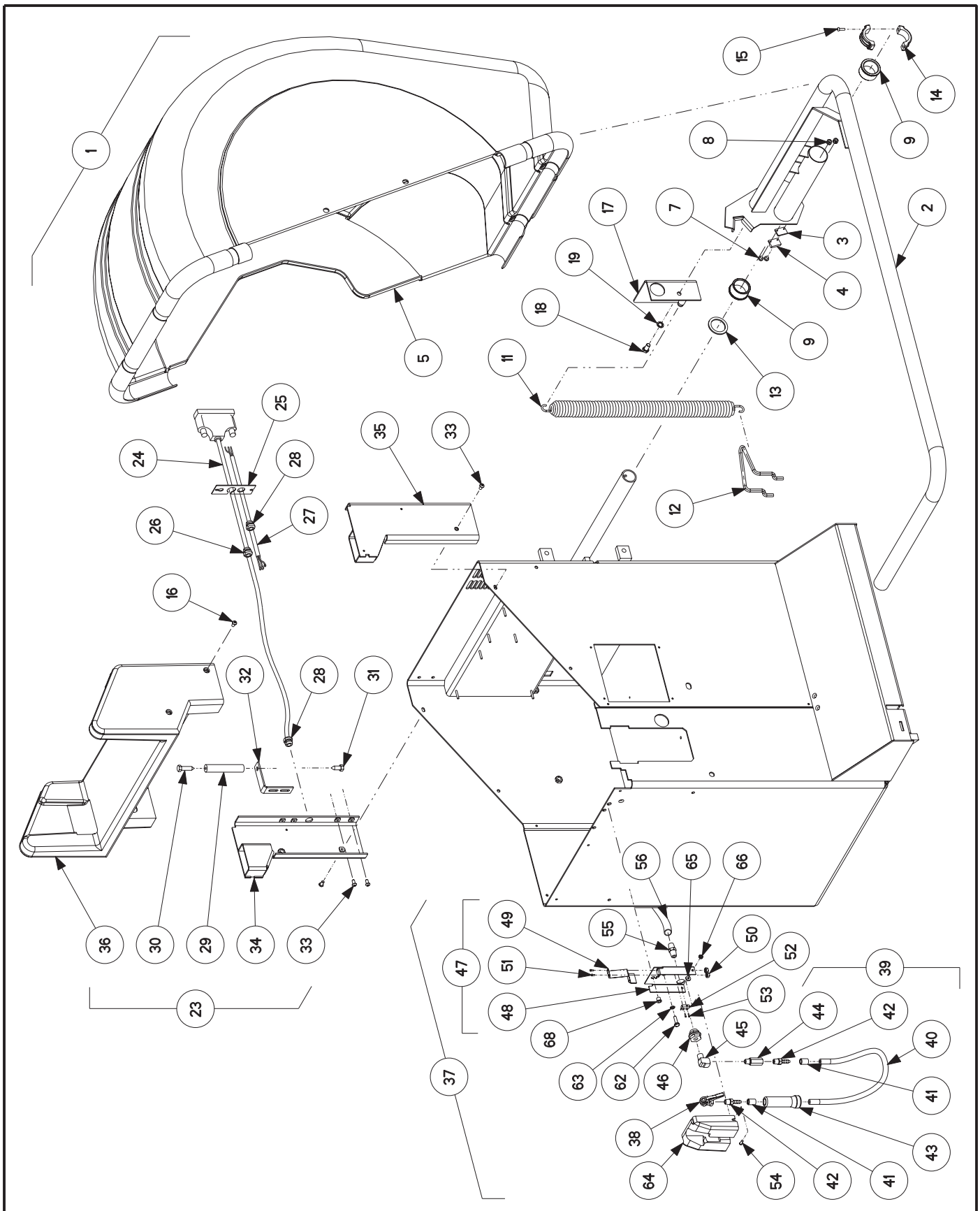
Index No.	Part Number	Description	Qty.	Index No.	Part Number	Description	Qty.
1	103-83-1	HOUSING, INNER DATASET (Consisting Of)	2	32	98-333-2	SPRING COMPRESSION .240 OD	1
2	74-366-2	BOLT, SHOULDER 3/8 x 1.25	3	33	75-518-2	SOCKET SET SCREW 10-24 x .50 OVAL PT LOCK	1
3	130-136-2	BEARING, BALL 3/8 ID X 7/8 OD	7	34	103-98-1	ARM ASSEMBLY, INNER DATASET REPLACEMENT (Includes:)	1
4	111-65-2	ROLLER, V-GROOVE 1.5 OD	3	35	77-283-2	WASHER, FLAT 10 SPECIAL	1
5	46-429-2	SPACER, ROLLER	3	36	46-444-2	SPACER, 10-32 x 5/16 STANDOFF	1
6	97-377-2	SHAFT, INNER DATASET	1	37	103-82-2	ARM, INNER DATASET	1
7	103-90-2	ARM, INNER DATASET STIFFENER	1	38	164-59-2	LEVER, WEIGHT CLAMP DATASET	1
8	176-35-1	LOCATOR ASSEMBLY, MAGNET	2	39	12-159-2	CLAMP, WEIGHT DATASET	1
9	TR-50	BEARING	4	39A	94-27-2	TIE, CABLE (RED) (Not Illustrated)	3
10	46-424-2	SPACER, 1.12 OD x .25	2	40	111-83-1	INNER DATASET ROLLER ASSEMBLY (Not Illustrated) (Consisting Of)	1
11	14-813	BRACKET, INNER DATASET SENSORS	1	41	130-142-2	BEARING, BALL 1/4 ID x 5/8 OD	2
12	105-318-2	HOUSING, INNER DATASET	2	42	112-86-2	SNAP RING TRUARC 5008-62	1
13	124-117-2	O-RING .989 ID x .070	2	43	75-568-2	SCREW, SHOULDER 1/4 x .439	1
14	125-299-1	SENSOR ASSEMBLY, HALL EFFECT	2	44	77-140-2	WASHER, SPRING 1/4 WAVE	2
15	41-112	RETAINER, INNER DATASET	2	45	111-72-2	ROLLER, LEVER ARM DATASET	1
16	97-378-2	SHAFT, INNER DATASET SHORT	1	46	75-331-2	SELF TAPPING SCREW 4-40 x 5/16	2
17	112-64-2	SNAP RING #5108-50	1	47	41-114-2	RETAINER, WEIGHT HOLDER	1
18	57-588-2	BAR, UPPER ROLLER	1	48	98-341-2	SPRING, TORSION	1
19	130-140-2	BEARING, SLEEVE 1/4 x 5/16 x 5/8	1	49	75-544-2	PHILLIPS HEAD MACHINE SCREW 4-40 x 2.25	8
20	74-220-2	SOCKET HEAD CAP SCREW 3/8-16 x .63	1	50	76-59-2	NUT, KEPS 4-40	8
21	14-814	BRACKET, LOWER ROLLER	1	51	75-37-2	TRUSS HEAD MACHINE SCREW 10-32 x 3/8	1
22	77-243-2	WASHER, SPRING 3/8 CURVED	6	52	74-392-2	FLAT HEAD SOCKET CAP SCREW 5/16-18 x .125	1
23	76-177-2	NUT, KEPS 5/16-18	1	53	75-527-2	SHOULDER, SCREW 1/4 x .75	1
24	63-184-2	ROD, INNER DATASET	1	54	77-185-2	WASHER, SPRING 1/2 CURVED	2
25	75-508-2	FLAT HEAD MACHINE SCREW 10-32 x .5	2	55	98-331-2	SPRING, EXTENSION .50 OD	1
26	77-11-2	WASHER, LOCK 10 INT TOOTH	4	56	94-11-2	CABLE TIE	4
27	75-15-2	ROUND HEAD MACHINE SCREW 10-32 x .5	1	57	98-338-2	SPRING, COMPRESSION .24 OD x .69	1
28	75-401-2	TRUSS HEAD SHEET METAL SCREW 10 x 1/2	2	58	57-593	BAR, INNER DATASET	1
29	75-68-2	FLAT HEAD SOCKET CAP SCREW 1/4-20 x .75	2	59	135-297-2	PIN, SPRING 1/8 x 1/4	2
30	11-811-2	SUPPORT, WEIGHT WORKPLATE	1	60	51-1568-2	PLATE, WEIGHT WORK	1
31	75-19-2	ROUND HEAD MACHINE SCREW 10-24 x 1/2	3	61	75-68-2	FLAT HEAD SOCKET CAP SCREW 1/4-20 x .75	2



GSP9700 BALANCER

REFER TO NEXT SHEET FOR PARTS DESCRIPTION LISTING

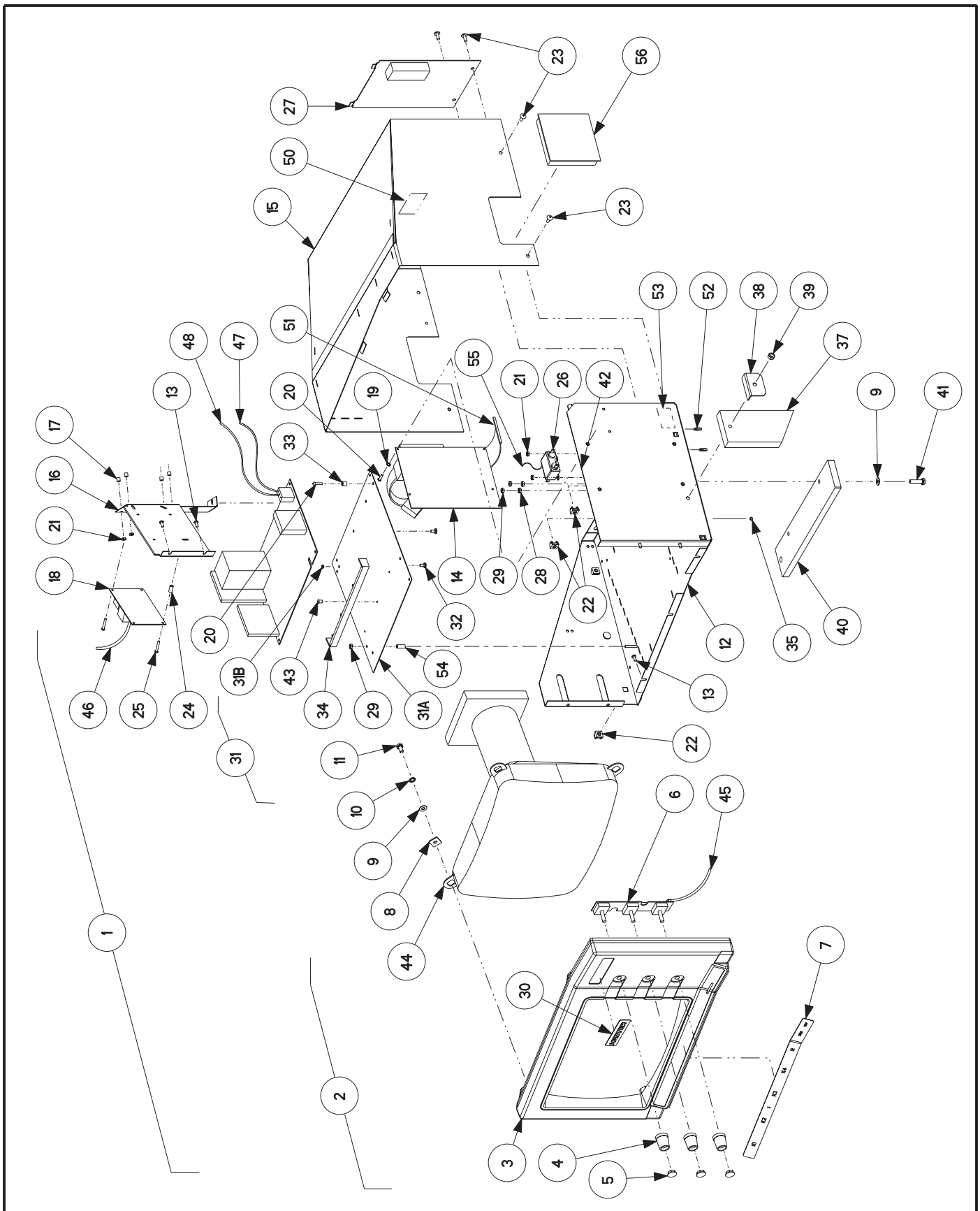
Index No.	Part Number	Description	Qty.
1	103-86-1	ARM ASSEMBLY, OUTER DATASET (Consisting Of:)	1
2	TR-50	BEARING	2
3	130-135-2	BEARING, BALL 5/8 ID x 1-3/8 OD	2
4	112-84-2	SNAP RING, SMALLEY WH-112	7
5	176-35-1	LOCATOR ASSEMBLY, MAGNET (Consisting Of:)	REF
6	176-36-2	LOCATOR, MAGNET	1
7	60-23-2	MAGNET .38 x .06	2
8	75-508-2	FLAT HEAD MACHINE SCREW 10-32 x .5 (LOCKTITE; TORQUE TO 12 IN LB)	2
9	124-117-2	O-RING .989 ID x .070 CS BUNA-N	2
10	125-299-3	SENSOR ASSEMBLY, HALL EFFECT	2
11	121-160-2	BLOCK, PIVOT STOP	1
12	12-155	CLAMP, BLOCK PIVOT STOP	1
13	97-383-2	SHAFT, OUTER DATASET	1
14	135-297-2	PIN, SPRING 1/8 x 1/4	1
15	103-85	ARM, OUTER DATASET	1
16	48-57-2	RIVET BLIND 5/32 X 1/4	6
17	142-113	HANDLE, OUTER DATASET ARM	1
18	97-381-2	SHAFT, ROLLER PIVOT	1
19	104-105-2	GUIDE, RIM RUNOUT GAGE	1
20	77-20-2	WASHER, FLAT 5/16	1
21	34-129-2	KNOB WITH 5/16 SOCKET HEAD CAP SCREW	1
22	111-82-1	ROLLER ASSEMBLY, OUTER DATASET (Consisting Of:)	1
23	111-68-2	ROLLER, OUTER DATASET	1
24	130-142-2	BEARING BALL 1/4 ID x 5/8 OD	2
25	112-86-2	SNAP RING TRUARC 5008-62	1
26	75-521-2	SCREW, SHOULDER 1/4 x .5	1
27	77-140-2	WASHER, SPRING 1/4 WAVE	2
28	18-396-1	SWITCH ASSEMBLY, DATASET ARM	1
29	12-158-2	CLAMP, CABLE NYLON .312	1
30	74-93-2	SOCKET BUTTON HEAD CAP SCREW 3/8-16 x .50	2
31	75-522-2	SCREW, SELF TAPPING 10-32 x .3/8	5
32	228-44-2	STOP, OUTER DATASET ARM	1
33	76-258-2	NUT, INSERT 10-32	3
34	75-312-2	TRUSS HEAD MACHINE SCREW 10-32 x 1/2	3
35	74-376-2	SOCKET HEAD CAP SCREW 5/16-18 X 7/8	2
36	77-26-2	WASHER, FLAT 3/8	1
37	135-227-2	PIN, ROLL 3/16 x 5/8	1
38	98-336-2	SPRING, WAVE WASHER .62	2
39	105-327	HOUSING, DATASET ARM	1
40	94-33-2	TIE, CABLE (Not Illustrated)	3
41	94-35-2	TIE, WIRE 15 INCH x 1/2	1
42	65-71	WEIGHT, DATASET COUNTERBALANCE	1
43	105-328	HOUSING, DATASET PIVOT	1
44	97-382-2	SHAFT, OUTER DATASET	1
45	113-201-2	BUSHING, HEYCO .50 ID	1
46	75-177-2	ROUND HEAD MACHINE SCREW 1/4-20 x .88	1
47	24-51-2	HUNTER, NAMEPLATE	1
48	70-143-2	HARNESS, SPIRAL WRAP .25 OD. BLACK (Not Illustrated)	1



GSP9700 BALANCER

REFER TO NEXT SHEET FOR PARTS DESCRIPTION LISTING

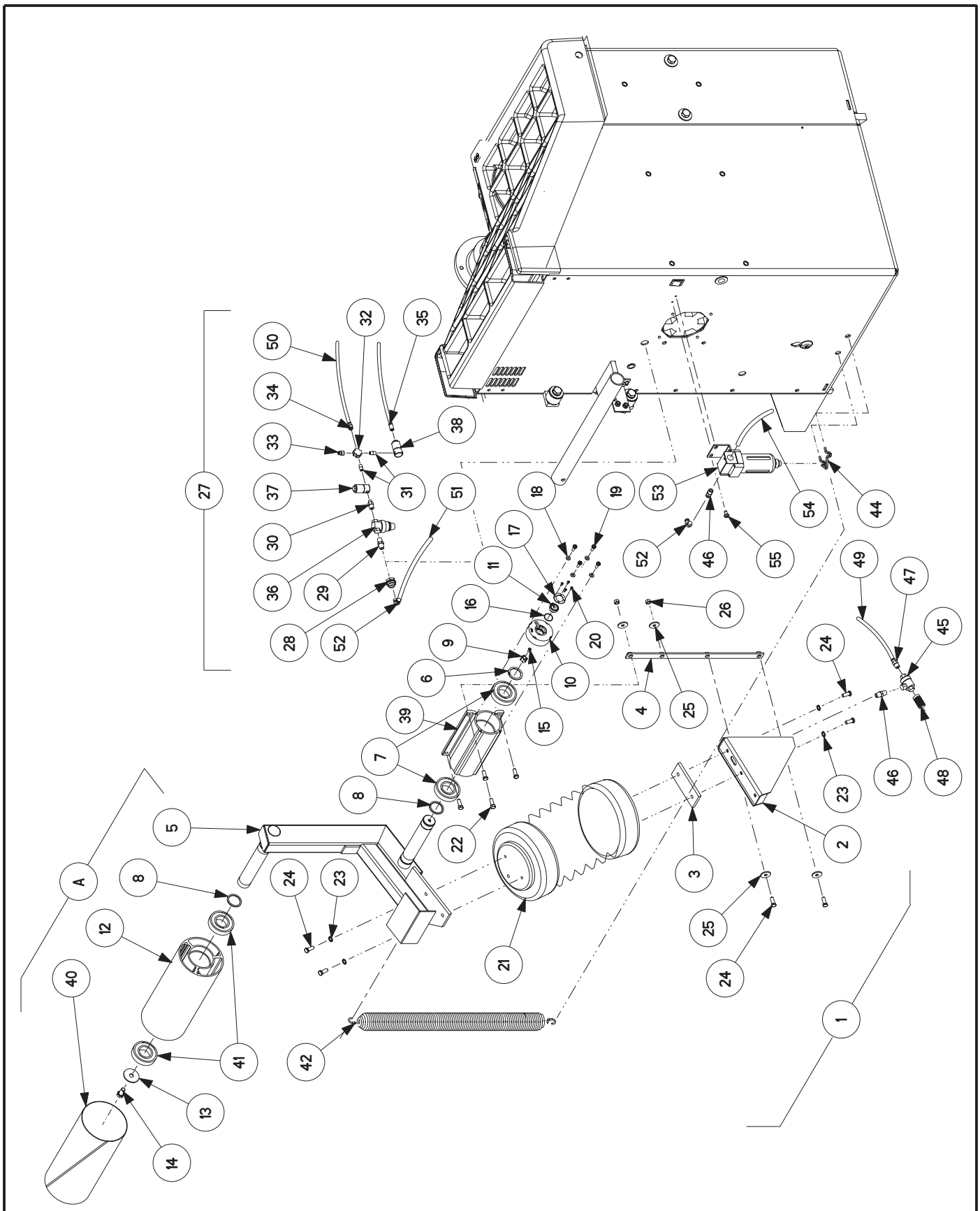
Index No.	Part Number	Description	Qty.	Index No.	Part Number	Description	Qty.
1	69-903-1	COVER 9700 HOOD ASSEMBLY (Consisting Of:)	1	34	119-35-1-002	RISER ASSEMBLY, CRT SUPPORT	1
2	16-614-1	TUBE, WHEEL COVER ASSEMBLY	1	35	119-36-1-002	RISER ASSEMBLY, CRT SUPPORT	1
3	46-445	SPACER, MAGNET	1	36	69-826-2	COVER, CRT PIVOT	1
4	60-24-2	MAGNET, REED SWITCH ACTUATOR	1	37	105-393-1	HOUSING ASSEMBLY, TIRE FILL (Consisting Of:)	1
5	69-906-2	COVER, WHEEL	1	38	145-341-2	FITTING, AIR CHUCK LOCK-ON OPEN	1
6	94-35-2	TIE, WIRE 15 INCH x 1/2 INCH (Not Illustrated)	8	39	137-100-1	HOSE ASSEMBLY, TIRE FILL (Consisting Of:)	1
7	75-584-2	TRUSS HEAD MACHINE SCREW 4-40 x 5/8	2	40	137-102-2	HOSE, PNEUMATIC 1/4 INCH ID	5 FT
8	76-366-2	NUT, LOCK 4-40 NYLON INSERT	2	41	145-29-2	FERRULE, AIR HOSE ALUMINUM	2
9	130-141-2	BEARING, FLANGED 1.5 x 1.0	2	42	145-28-2	FITTING, HOSE 1/4 MALE BARB	2
10	20-1349-1	KIT, LITERATURE & ACCESSORY GSP9700 (Not Illustrated) (Consisting Of:)	1	43	142-132-2	HANDLE, TIRE FILL	1
11	98-303-2	SPRING, HOOD	1	44	136-72-2	FILTER, INLINE 1/4 MPT x 1/4 FPT	1
12	216-43-2	HOOK, LOWER SPRING MOUNT	1	45	145-241-2	FITTING, 1/4 BRASS STREET ELBOW	1
13	77-248-2	WASHER, 2.0 OD x 1.5 ID x 12	1	46	145-224-2	COUPLING, BULKHEAD	1
14	12-157-2	CLAMP HALF, 1.5 INCH SHAFT	2	47	14-936-1	BRACKET ASSEMBLY, TIRE FILL (Consisting Of:)	1
15	75-35-2	ROUND HEAD MACHINE SCREW 10-32 x .63	2	48	14-919	BRACKET, TIRE FILL	1
16	75-481-2	TRUSS HEAD SHEET METAL SCREW 10 x .5	6	49	103-102-2	ARM, SWITCH ACTUATOR	1
17	14-851-1	BRACKET, SPRING WELDMENT	1	50	76-59-2	NUT, KEPS 4-40	2
18	74-59-2	HEX HEAD CAP SCREW 3/8-16 x .75	1	51	75-303-2	SOCKET HEAD CAP SCREW 4-40 x .25	2
19	77-21-2	WASHER, LOCK 3/8 INT TOOTH	1	52	18-350-2	SWITCH, HANGER	1
20	94-35-2	TIE, WIRE 15 INCH x 1/2 (Not Illustrated)	1	53	48-77-2	RIVET, EYELET .086 x .344	2
21	75-476-2	TRUSS HEAD SHEET METAL SCREW 10 x 3/4 (Not Illustrated)	4	54	134-57-2	STUD 10-32 X 1/2	2
22	75-312-2	TRUSS HEAD MACHINE SCREW 10-32 x 1/2 (Used for Shipping Only)	2	55	145-273-2	FITTING, 1/4 HOSE x 1/4 NPT	1
23	119-37-1	RISER ASSEMBLY, CRT (Consisting Of:)	1	56	16-423-2	TUBE, AIR .172 ID	31 IN
24	38-711-2	CABLE, 3FT 37M TO 37M DSUB	1	60	94-23-2	TIE, HOLDER SNAP IN (Not Illustrated)	1
25	51-1590	PLATE, CABLE PASS THROUGH	1	61	94-11-2	TIE, CABLE (Not Illustrated)	2
26	59-52-2	STRAIN RELIEF-HEYCO #1497	2	62	75-84-2	HEX HEAD CAP SCREW 1/4-20 x .88	1
27	38-844-1	CABLE ASSEMBLY, GSP9700 CRT POWER	1	63	77-13-2	WASHER, LOCK 1/4 INT TOOTH	1
28	59-48-2	STRAIN RELIEF HEYCO #1237	2	64	69-991-2	COVER, TIRE FILL	1
29	16-648-2	TUBE, COUNTER WEIGHT RUBBER	1	65	46-485-2	SPACER, .194 ID x .50 OD x .093	2
30	74-405-2	SCREW, LAG 3/8 x 1.50	1	66	76-263-2	NUT, LOCK 10-32 NYLON INSERT	2
31	74-286-2	SCREW, LAG 3/8 x 1.00	1	67	37-481-1	WIRE ASSEMBLY, GSP9700 TIRE FILL (Not Illustrated)	1
32	14-888-002	BRACKET, REAR CRT SHOCK SUPPORT	1	68	113-228-2	BUSHING, .25 ID HEYCO 2030	1
33	75-481-2	SOCKET BUTTON HEAD CAP SCREW 1/4-20 x .5	2				



GSP9700 BALANCER

REFER TO NEXT SHEET FOR PARTS DESCRIPTION LISTING

Index No.	Part Number	Description	Qty.	Index No.	Part Number	Description	Qty.
1	30-330-1	CRT, GSP9700 CONSOLE (Consisting Of:)	1	30	24-56-2	NAMEPLATE, HUNTER	1
2	149-247-1	BEZEL ASSEMBLY, GSP9700 (Consisting Of:)	1	31	51-1874-1	PLATE ASSEMBLY, CONSOLE SUB-FLOOR (Consisting Of:)	1
3	149-235-2	BEZEL, 14 INCH CRT GSP9700	1	31A	51-1589	PLATE, CONSOLE SUB-FLOOR	1
4	34-86-2	KNOB, NUT COVER	3	31B	76-349-2	NUT, PRESS 6-32	4
5	34-87-2	KNOB, CAP	3	32	46-401-2	SPACER, PC BOARD SUPPORT	2
6	45-779-1	PC ASSEMBLY, GSP BALANCER KNOBS	1	33	46-328-2	SPACER, 5/16 L x 5/16 DIA. 3/16 ID	2
7	18-383-2	SWITCH, KEYPAD GSP9700	1	34	104-59-2	GUIDE, CRT CIRCUIT BOARD	1
8	46-379-2	SPACER, CRT	4	35	48-16-2	RIVET, BLIND 3/16 x 1/8	4
9	77-67-2	WASHER, FLAT 1/4	6	37	121-183-2	BLOCK, SHOCK MOUNTING	2
10	77-13-2	WASHER, LOCK 1/4 INT TOOTH	4	38	14-887	BRACKET, RISER CRT SUPPORT	2
11	75-23-2	HEX HEAD CAP SCREW 1/4-20 x .5	4	39	76-17-2	NUT, GRIP 1/4-20	2
12	72-264-1-002	BASE, CRT CHASSIS GSP9700	1	40	57-621-002	BAR, COUNTER WEIGHT CRT	1
13	75-32-2	ROUND HEAD MACHINE SCREW 8-32 x 3/8	9	41	75-22-2	HEX HEAD CAP SCREW 1/4-20 x 1	2
14	45-715-1	PC ASSEMBLY, GSP9700	1	42	76-85-2	NUT, KEPS 1/4-20	2
15	69-828-1-002	COVER, CRT GSP9700	1	43	48-26-2	RIVET, BLIND 1/8 x 1/8	3
16	14-764	BRACKET, PC BOARD MOUNT	1	44	227-80-2	DISPLAY, CRT 14 INCH VGA	1
17	46-375-2	SPACER, #8 SELF RETAIN, .25 LG	4	45	38-405-1	CABLE, TOE TRANSDUCER	1
18	232-90-2	POWER SUPPLY 25W SWITCHING	1	46	37-444-1	WIRE ASSEMBLY, 9700 DC POWER	1
19	77-12-2	WASHER, LOCK 6 INT TOOTH	4	47	38-846-1	CABLE ASSEMBLY, MONITOR POWER GSP9700	1
20	75-173-2	ROUND HEAD MACHINE SCREW 6-32 x 7/8	10	48	37-459-1	WIRE ASSEMBLY, CHASSIS GROUND	1
21	76-307-2	NUT, LOCK 10-32 NYLON INSERT	10	49	94-11-2	TIE CABLE, (Not Illustrated)	1
22	76-190-2	NUT, TINNERMAN 10-32	9	50	128-158-2	DECAL, SERVICE WARNING	1
23	75-312-2	TRUSS HEAD MACHINE SCREW 10-32 x 1/2	7	51	38-793-1	CABLE, PRINTER INTERFACE 311	1
24	46-436-2	SPACER, 1/4 OD x 1/2	4	52	75-378-2	SCREW, DSUB JACK SOCKET 4-40	2
25	75-308-2	ROUND HEAD MACHINE SCREW 6-32 x 7/8	4	53	24-51-2	NAMEPLATE, HUNTER MODEL & PART	1
26	136-12-2	FILTER, RFI	1	54	46-186-2	SOCKET BUTTON HEAD CAP SCREW 1/4-20 x 1/2	4
27	69-914-1	COVER, CRT ACCESS PANEL	1	55	37-346-1	WIRE, 18 YELLOW/GREEN FILTER GROUND	1
28	76-23-2	NUT, HEX 8-32	2	56	G01-0110000-1	GSP9700 PROGRAM MODULE	1
29	76-262-2	NUT, LOCK 8-32 NYLON INSERT	7				



GSP9700 BALANCER
 REFER TO NEXT SHEET FOR PARTS DESCRIPTION LISTING

Index No.	Part Number	Description	Qty.
A	111-79-1	ROLLER ASSEMBLY, LOADED RUNOUT ARM (Field Replacement Assembly)	1
1	111-66-1	ROLLER ASSEMBLY, LOADED RUNOUT ARM (Consisting Of:)	1
2	14-805-1	BRACKET, BAG MOUNTING	1
3	46-431	SPACER, AIR BAG	1
4	58-142-1	STRIP ASSEMBLY, WELD NUT (Consisting Of:)	1
5	103-81-1	ARM, LOADED RUNOUT	1
6	112-79-2	SNAP RING 5108-156, 1-9/16 DIA.	1
7	130-137-2	BEARING, 40 MM ID x 80 MM OD	4
8	112-78-2	SNAP RING, SMALLEY WSW-162	2
9	176-35-1	LOCATOR ASSEMBLY, MAGNET	1
10	113-197-2	BUSHING, LOAD ROLLER SENSOR	1
11	125-299-1	SENSOR ASSEMBLY, HALL EFFECT	1
12	111-64-2	ROLLER, LOADED RUNOUT	1
13	77-249-2	WASHER, SPECIAL, 2 INCH x .515 x .109 THICK	1
14	74-37-2	HEX HEAD CAP SCREW 1/2-13 x 1	1
15	75-508-2	FILLISTER HEAD MACHINE SCREW 10-32 x 1/2	1
16	124-117-2	O-RING .989 ID x .070	1
17	41-112	RETAINER, INNER DATASET	1
18	77-67-2	WASHER, FLAT 1/4 TPA-W	4
19	75-128-2	PHILLIPS HEAD MACHINE SCREW 1/4-20 x 3/4	4
20	75-515-2	SCREW, SPA-S #6 X 1/2	4
21	98-334-2	SPRING, AIR BAG	1
22	74-105-2	HEX HEAD CAP SCREW 3/8-16 x 1 GRADE 5	4
23	77-21-2	WASHER, LOCK 3/8 TOOTH	4
24	74-25-2	HEX HEAD CAP SCREW 3/8-16 x 1	6
25	77-145-2	WASHER, FLAT 3/8 SPECIAL	4
26	76-26-2	NUT, HEX 3/8-16	2
27	108-135-1	VALVE ASSEMBLY, PNEUMATIC (Consisting Of:)	1
28	145-224-2	COUPLING, BULKHEAD	1
29	145-310-2	FITTING, 1/4 INCH HEX NIPPLE	1
30	145-331-2	FITTING, NIPPLE 1/8 NPT	1
31	145-332-2	FITTING, NIPPLE 1/8 NPT	2
32	145-278-2	FITTING, 1/8 CROSS BRASS	1
33	145-281-2	FITTING, 1/4 HOSE x 1/8 NPT	1
34	145-216-2	FITTING, 5/16 TUBE x 1/8 NPT ADAPTOR	1
35	145-269-2	FITTING, 1/4 HOSE x 10-32	1
36	136-66-2	REGULATOR, TAMPER PROOF, (UL)	1
37	108-136-1	VALVE ASSEMBLY, NORMALLY CLOSED	1
38	108-137-1	VALVE ASSEMBLY, NORMALLY OPEN	1
39	105-348	HOUSING, LOAD ROLLER BEARING	1
40	162-93	TAPE, NON-SKID TREAD 18 INCH TRIMMED	1
41	130-137-2	BEARING, 40 MM ID x 80 MM OD	4
42	98-303-2	SPRING, HOOD	1
43	20-1349-1	LITERATURE AND ACCESSORY KIT (Not Illustrated) (Consisting Of:)	REF
44	216-42-2	HOOK, ROLLER SPRING, LOWER	1
45	108-132-2	VALVE QUICK EXHAUST, 1/4 INCH	1
46	145-310-2	FITTING, 1/4 INCH NPT HEX NIPPLE	1
47	145-184-2	FITTING, 1/4 NPT ADAPTOR	2
48	145-290-2	FITTING, 1/4 NPT EXHAUST SILENCER	1
49	16-321-2	TUBE, 5/16 INCH OD	35 INCH
50	16-423-2	TUBE, AIR .172 ID	18 INCH
51	16-321-2	TUBE, 5/16 INCH OD	7 INCH
52	145-308-2	FITTING, 1/4 INCH MPT ELBOW RIGID	1
53	136-64-2	FILTER, PNEUMATIC WITH DRAIN	1
54	137-96-1	HOSE ASSEMBLY, PNEUMATIC SUPPLY	1
55	75-522-2	SCREW, SELF TAPPING 10-32 x .38	2
56	128-603-2	DECAL, AIR PRESSURE LIMITS (Not Illustrated)	1